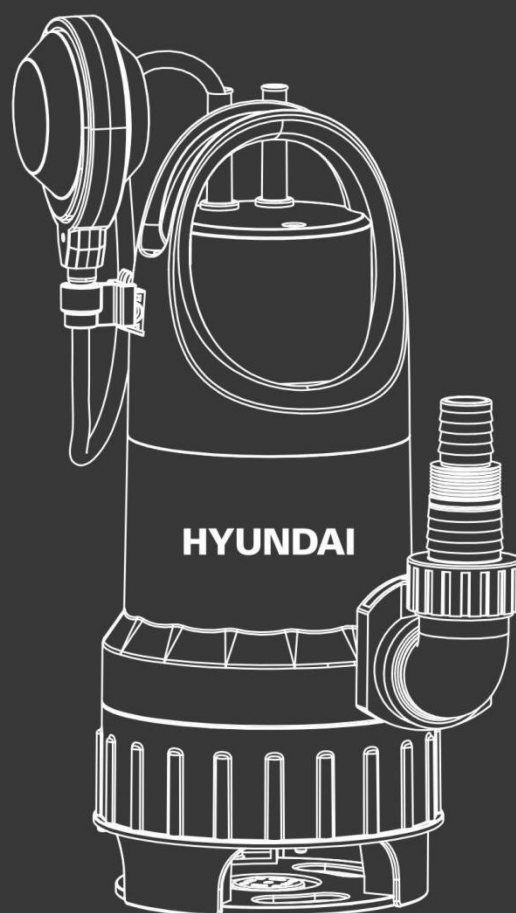


**HYUNDAI**  
POWER PRODUCTS

# SUBMERSIBLE ELECTRIC WATER PUMP

**HFP750-A**

**ORIGINAL INSTRUCTIONS**



**WARNING:** Read thoroughly the instruction manual before using.

# CONTENTS

1. SAFETY INSTRUCTIONS.....	3
2. INTENDED USE.....	7
3. PRODUCT DESCRIPTION.....	7
4. TECHNICAL SPECIFICATIONS.....	8
5. ASSEMBLING.....	8
6. OPERATING INSTRUCTION.....	10
7. CLEANING, STORAGE AND MAINTENANCE.....	11
8. TROUBLESHOOTING.....	12
9. DISPOSAL.....	13
10. WARRANTY.....	14
11. PRODUCT FAILURE.....	15
12. WARRANTY EXCLUSIONS.....	16

# 1. SAFETY INSTRUCTIONS

- Persons who are unfamiliar with the operating manual may not operate the device.
- If persons are in the water, the device must not be operated.
- Take appropriate measures to keep children away from the device while it is running.
- Dispose of the packaging material properly.
- Do not use the device in the vicinity of flammable fluids or gases. There is a risk of fire or explosion if disregarded.
- The pumping of aggressive, abrasive (scouring), corrosive, flammable (e.g. motor fuels) or explosive liquids, salt water, cleaning agents and foodstuffs is not permitted.
- Store the device in a dry place and out of reach of children.
- The temperature of the pumped liquid shall not exceed 35°C.
- Do not work with a damaged, incomplete or modified device without the manufacturer's consent. Before commissioning, have a specialist check that the required electrical protective measures are in place. Supervise the device during operation in order to detect automatic shutdown or dry-running of the pump in good time. Check the function of the float switch regularly (see chapter "Commissioning"). Failure to do so will invalidate warranty and liability claims.
- Please note that the pump is not suitable for continuous operation (e.g. for watercourses in garden

ponds). Check the device regularly for proper functioning.

- Please note that lubricants are used in the device, which may cause damage or contamination due to leakage. Do not use the pump in garden ponds with fish or valuable plants. If lubricants leak out, they may contaminate the liquid.
- Do not use the cable or hose to carry or fastened the device.
- Protect the device from frost and dry-running.
- Only use original accessories and do not make any modifications to the device.
- Please read the information on “Cleaning, maintenance, storage” in the operating manual. All other measures, in particular opening the device, must be carried out by a qualified electrician. In the event of repair, always contact our service centre.

### **Electrical safety instructions**

- The mains plug must remain freely accessible when operating the device.
- Before you put your new pump into operation, have it professionally checked:
  - Earthing, connection of the neutral line and residual current circuit breaker must comply with the safety regulations of the power supply companies and function properly,
  - Protect the electrical plug connections from moisture.
  - If there is a risk of flooding, fit the plug connections in the flood-proof area.
- Ensure that the mains voltage corresponds to the specifications on the type plate.

- Carry out the electrical installation in accordance with national regulations.
- The pump must not be used when people are in the water.
- Only connect the device to a mains socket with a residual current device (RCD) with a rated leakage current of no more than 30 mA; fuse at least 6 amps.
- Before each use, check the device, cables and connectors for damage. Defective cables must not be repaired but replaced with a new ones. Have damage to your device repaired by a specialist.
- If the connection cable of this unit is damaged, it must be replaced by the manufacturer or their service department or a similar qualified person in order to avoid hazards.
- Do not use the cable to pull the plug out of the outlet.
- Protect the cable from heat, oil and sharp edges.
- Do not carry or fasten the device by the cable.
- Use only extension cables that are splash-proof and intended for outdoor use. Always unroll a cable drum completely before use. Check the cable for damage.
- Disconnect the mains plug from the socket before carrying out any work on the device, as well as during breaks in work and when not in use.
- Mains connection cables shall not have a smaller cross-section than rubber hose lines with the designation H07RN-F. The cable length must be 10 m. The conductor core cross-section of the extension cable must be at least 1.5 mm<sup>2</sup>.
- Lubricants are used inside the pump which may contaminate the liquids flowing out of the device if the device is operated improperly or damaged.

- **Warning!** This power tool generates an electromagnetic field during operation. This field can impair active or passive medical implants under certain circumstances. In order to prevent the risk of serious or deadly injuries, we recommend that persons with medical implants consult with their physician and the manufacturer of the medical implant prior to operating the power tool.
- Disconnect the pump from the supply mains before carrying out user maintenance such as cleaning the filter.
- This appliance shall not be used by children.
- Cleaning and User maintenance shall not be carried out by children.
- Always disconnect the appliance from the supply before assembling, disassembling or cleaning.
- Appliances can be used by persons with reduced physical, sensory or mental capabilities or lack of experience and knowledge if they have been given supervision or instruction concerning use of the appliance in a safe way and if they understand the hazards involved.
- Children shall not play with the appliance.
- Pumps without indication that they are protected against the effect of freezing shall not be left outside during freezing weather conditions.

#### SYMBOLS



Read the instruction manual.



Maximum operating immersion depth



The product complies with the applicable European directives.

## 2. INTENDED USE

The machine may only be used in the intended manner. Any use beyond this is improper. The user/operator, not the manufacturer, is responsible for damages or injuries of any type resulting from this. An element of the intended use is also the observance of the safety instructions, as well as the assembly instructions and operating information in the operating manual. Persons who operate and maintain the machine must be familiar with it and must be informed about potential dangers.

In addition, the applicable accident prevention regulations must be strictly observed. Other general occupational health and safety-related rules and regulations must be observed. The liability of the manufacturer and resulting damages are excluded in the event of modifications of the machine. The product is intended exclusively for private use for drainage in the house and garden area.

Permissible pumped liquid:

Clear water or wastewater

- The suspended solids content in the wastewater shall not exceed 5%.
- The solid content in the wastewater shall not exceed the maximum particle size specified in the technical data. Any other use is considered contrary to the intended use and is not permissible.

### Areas of application

- Pumping out tanks, water basins, swimming pools, soakaways or flooded rooms.

### The product is not intended for:

- Pumping liquids with a temperature  $> 35^{\circ}\text{C}$ .
- Drinking water supply or for pumping foodstuffs.
- Pumping salt water.
- Pumping explosive, flammable, aggressive or hazardous substances and faeces. Commercial or industrial use. Continuous circulation (pond).

The machine may only be operated with original parts and original accessories from the manufacturer.

The safety, operating and maintenance specifications of the manufacturer, as well as the dimensions specified in the technical data, must be observed.

Please note that our products were not designed with the intention of use for commercial or industrial purposes. We assume no guarantee if the product is used in commercial or industrial applications, or for equivalent work.

## 3. PRODUCT DESCRIPTION (FIG. 1)

FIG.1



1. Handle
2. Mains cable
3. Hose connection nozzle
4. Pump connection bend
5. Pressure connection
6. Suction strainer
7. Float switch clip
8. Float switch

## 4. TECHNICAL SPECIFICATIONS

Model	HFP750-A
Rated Voltage	230V~ 50Hz
Rated power input	750 W
Max delivery flow	14000 l/h
Maximum charge head / Max. delivery height	8m
Maximum operating depth / Max. Immersion depth	7m
Hose connection	G1 1/2" = 47.8 mm 38 mm G1" = 33.2 mm 25 mm
Degree of protection against moisture / Protection category	IPX8
Class of protection against electric	I
Weight	4.5kg
Maximum water temperature / Max temperature	35°C

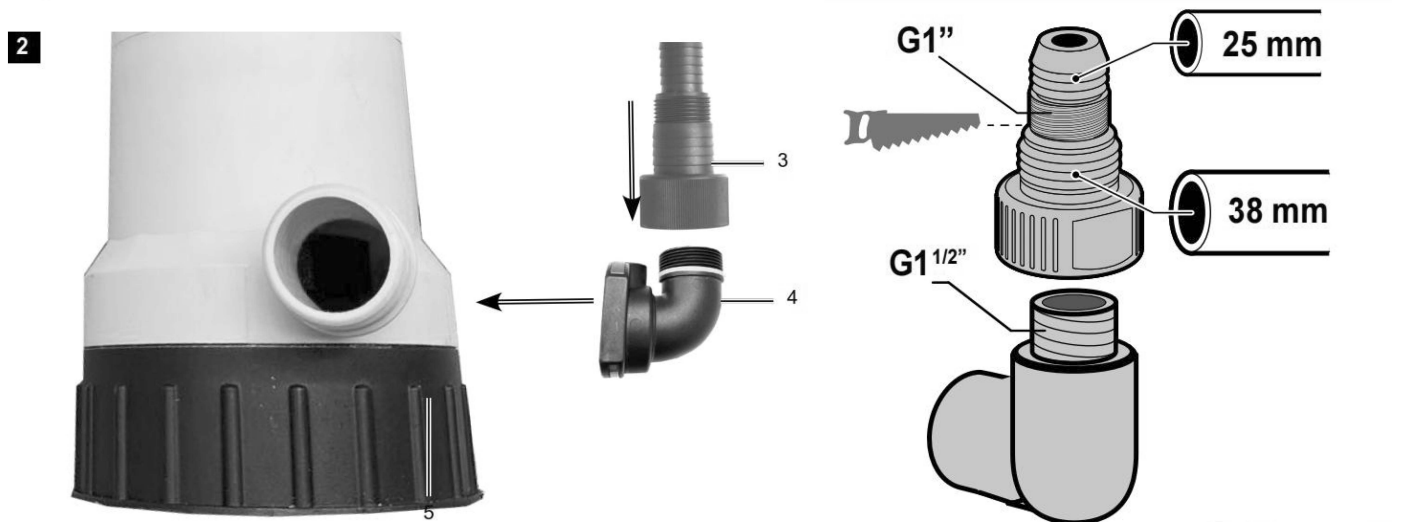
## 5. ASSEMBLING

### Connecting the hose (Fig. 2)

The pump is installed either with a fixed pipeline or with a flexible hose line.

- 1) Screw the pump connection bend (4) onto the pressure connection of the pump (5).
- 2) Screw the hose connection nozzle (3) onto the pump connection bend (4).
- 3) Push the hose over the hose connection nozzle (3) and fasten it with a hose clamp. Or use a screw connection on the pump connection bend (4) or on the hose connection nozzle (3).

Fig. 2



### Attention!

Note that in the case of heavily contaminated water in which particles that reach the maximum particle size of 30 mm are floating, this can lead to blockages. In such cases, use a sufficiently large hose in conjunction with the largest connection option.



### Mounting the float switch (Fig. 1, 3, 4, 5)

- 1) The float switch (8) can be latched into place (Fig. 3 and 4) or freely suspended (Fig. 5).
- 2) The freely suspended float switch (8) (Fig. 5) is used to prevent the pump from running dry and to prevent possible damage.
- 3) The latched in float switch (3) (Fig. 3 and 4) allows pumping down to 40 mm from ground level.

**Fig.3**



**Fig.4**



**Fig.5**



**Attention!** Always keep an eye on the pump when the float switch (8) is latched into place so that you can switch it off before it runs dry.

### Notes:

- Check that the pump is standing stably on the shaft floor or is securely suspended.
- Check that the hose has been properly attached.
- Ensure that the pump does not run dry (set the float switch correctly).
- Make sure that the electrical connection is 230 V / 50 Hz.
- Check the proper condition of the mains socket and that it has an appropriate fuse (min. 6A).
- Insert the pump plug into the mains socket and the pump is ready for operation.
- Make sure that moisture or water cannot reach the mains power connection. There is a danger of electric shock.

### Adjusting the suction strainer (Fig. 6)

- The suction strainer (6) can be retracted or extended as required.
- Pull out the mains plug from socket before adjusting the suction strainer (6).
- If the water is heavily contaminated, unscrew the suction strainer (6).
- To pump down to ground level, screw the suction strainer all the way in.

Fig.6



**Note: With the suction strainer screwed in for pumping down to ground level, the pumping capacity is greatly reduced.**

## 6. OPERATING INSTRUCTION

**ATTENTION!** Always make sure the product is fully assembled before commissioning!

### Set-up / suspension

- The pump well should have dimensions of at least 45 x 45 x 45 cm so that the float switch (8) can move freely.
- The product can be suspended by the carrying handle (1) or placed on the shaft floor.
- You can use a rope to hang up and/or pull out the pump.
- For safe suspension, loop the rope around the carrying handle (1) and feed it upwards through the carrying handle (1).
- Never hang the product by the hose.
- Dip the pump in the liquid to be pumped at a 45 degree angle initially (to reduce the amount of air trapped in the pump body). If the pump is resting on the ground, make sure it is on a flat and stable surface.
- Make sure that there are no people in the liquid to be pumped.
- Connect the pump to the mains.

### Check the function of the float switch

- The float switch (8) is to be set such that immediate start-up is possible. In the case of stationary installation, the function of the float switch (8) must be checked regularly (at least every three months).
- The on or off switching point of the float switch (8) can be adjusted by changing the position of the float switch (8) in the float switch clip (7).

Please check the following points before commissioning:

- The float switch (8) must be positioned in such a way that the switching point height "On" and the switching point height "Off" can be reached easily and with little effort.
- Check this by placing the pump in a container filled with water and carefully lifting the float switch (8) by hand and then lowering it again. In doing so, you can see whether the pump switches on or off. Also make sure that the distance between the float switch head and the float switch clip (7) is not too small. If the distance is too small, proper functioning is not guaranteed.
- When adjusting, make sure that the float switch (8) does not touch the floor before the pump is switched off.
- **Attention! Danger of dry-running and damage to the product.**

### Electrical connection

The electrical motor installed is connected and ready for operation. The connection complies with the applicable VDE and DIN provisions.

The customer's mains connection as well as the extension cable used must also comply with these regulations.

Damaged electrical connection cable:

The insulation on electrical connection cables is often damaged.

This may have the following causes:

- Pressure points, where connection cables are passed through windows or doors.
- Kinks where the connection cable has been improperly fastened or routed.
- Places where the connection cables have been cut due to being driven over.
- Insulation damage due to being ripped out of the wall outlet.
- Cracks due to the insulation ageing.

Such damaged electrical connection cables must not be used and are life-threatening due to the insulation damage.

Check the electrical connection cables for damage regularly. Ensure that the connection cables are disconnected from electrical power when checking for damage.

Electrical connection cables must comply with the applicable VDE and DIN provisions. Only use connection cables with the designation H07RN-F.

The printing of the type designation on the connection cable is mandatory.

### Connection type Y

If the supply cord is damaged, it must be replaced by the manufacturer, its service agent or similarly qualified persons in order to avoid a hazard.

## 7. CLEANING, STORAGE AND MAINTENANCE

### CLEANING

**Attention!** Disconnect the mains plug before carrying out any cleaning work.

### General cleaning tasks

- Non-stationary installed products: Clean the pump with clean water after each use.
- Stationary installed products: Check the function of the float switch (8) regularly (at least every three months).
- Remove lint and fibrous particles that may have become trapped in the pump housing with a water jet.
- Regularly remove sludge from the base plate (every 3 months at the latest) and clean the shaft walls.

- Clean the float switch (8) of deposits with clean water.
- If you have not used the pump for a longer period of time, the pump must be cleaned thoroughly after the last use and before its next use. Otherwise, start-up problems may occur due to deposits and residues.

### Cleaning the impeller wheel

If the impeller is dirty or blocked, you can clean it via the pump pressure connection (5) or by unscrewing the suction strainer (6):

- 1) Unscrew the pump connection bend (4) at the pressure connection of the pump (5).
- 2) Remove the screws on the underside of the pump housing and take off the suction strainer (6).

**Fig.7**



- 3) Clean the impeller wheel with clear water.
- 4) The re-assembly takes place in reverse order.

### STORAGE

Store the product and its accessories in a dark, dry and frost-free place that is inaccessible to children. The optimum storage temperature lies between 5 and 30 °C.

Store the product in its original packaging.

Cover the product to protect it from dust or moisture.

Store the operating manual with the product.

### MAINTENANCE

The pump is largely maintenance-free. However, we recommend regular inspections and care for a long service life.

## 8. TROUBLESHOOTING

Fault	Possible cause	Remedy
Pump does not start.	No mains voltage.	Check mains voltage.
	Float switch (8) does not switch.	Move float switch to higher position.
Pump does not deliver.	Pump performance reduced due to heavily contaminated and abrasive water impurities.	Clean the pump.
Pump does not switch off.	Float switch (8) cannot sink.	Position the pump correctly on the bottom of the shaft.

Inadequate pump delivery.	Pump performance reduced due to heavily contaminated and abrasive water impurities.	Clean the pump.
Pump switches off after short running time.	Motor protection switches off the pump due to excessive water contamination.	Pull out mains plug and clean pump and shaft.
	Water temperature too high, motor protection switches off the product.	Observe the maximum water temperature of 35°C!

## 9. DISPOSAL



The packaging materials are recyclable. Please dispose of packaging in an environmentally friendly manner.



Electrical products should not be discarded with household products. According to the European Directive 2012/19/EU on waste electrical and electronic equipment and its implementation into national law, electrical products used must be collected separately and disposed of at collection points provided for this purpose. Talk with your local authorities or dealer for advice on recycling.

Recycling: This marking indicates that this product should not be disposed with other household wastes throughout the EU. To prevent possible harm to the environment or human health from uncontrolled waste disposal, recycle it responsibly to promote the sustainable reuse of material resources. To return your used device, please use the return and collection systems or contact the retailer where the product was purchased. They can take this product for environmental safe recycling.

# 10. WARRANTY

The manufacturer guarantees the product against defects in material and workmanship for a period of 2 years from the date of the original purchase. It can be extended by one year if the user subscribes to website of myswap. The warranty only applies if the product is for household use. The warranty does not cover breakdowns due to normal wear and tear.

The manufacturer agrees to replace parts identified as defective by the designated distributor. The manufacturer does not accept responsibility for the replacement of the machine, in whole or in part, and/or ensuing damage.

## **The warranty does not cover breakdowns due to:**

insufficient maintenance.

abnormal assembly, adjustment or operations of the product.

parts subject to normal wear and tear.

## **The warranty does not extend to:**

shipping and packaging costs.

using the tool for a purpose other than that for which it was designed.

the use and maintenance of the machine done in a manner not described in the user manual.

Due to our policy of continuous product improvement, we reserve the right to alter or change specifications without notice. Consequently, the product may be different from the information contained therein, but a modification will be undertaken without notice if it is recognized as an improvement of the preceding characteristic.

## **READ THE MANUAL CAREFULLY BEFORE USING THE MACHINE.**

When ordering spare parts, please indicate the part number or code, you can find this in the spare parts list in this manual. Keep the purchase receipt; without it, the warranty is invalid. To help you with your product, we invite you to contact us by phone or via our website:

**+33 (0)9.70.75.30.30**

**<https://services.swap-europe.com/contact>**

You must create a "ticket" via the web platform.

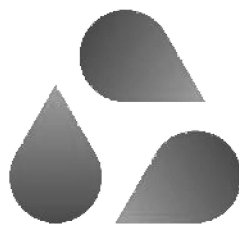
Register or create your account.

Indicate the reference of the tool.

Choose the subject of your request.

Describe your problem.

Attach these files: invoice or sales receipt, photo of the identification plate (serial number), photo of the part you need (for example: pins on the transformer plug which are broken).



# swap

# 11. PRODUCT FAILURE

## WHAT TO DO IF MY MACHINE BREAKS DOWN?

### If you bought your product in a store:

- Make sure that your machine is complete with all accessories supplied, and clean! If this is not the case, the repairer will refuse the machine.
- Go to the store with the complete machine and with the receipt or invoice.

### If you bought your product on a website:

- Make sure that your machine is complete with all accessories supplied, and clean! If this is not the case, the repairer will refuse the machine.
- Create a SWAP-Europe service ticket on the site: <https://services.swap-europe.com> When making the request on SWAP-Europe, you must attach the invoice and the photo of the nameplate (serial number).

Contact the repair station to make sure it is available before dropping off the machine.

Go to the repair station with the complete machine packed, accompanied by the purchase invoice and the station support sheet downloadable after the service request is completed on the SWAP-Europe site

**Please keep your original packaging to allow for after-sales service returns or pack your machine with a similar cardboard box of the same dimensions.**

**For any question concerning our after-sales service you can make a request on our website <https://services.swap-europe.com>**

**Our hotline remains available at +33 (9) 70 75 30 30.**



## 12. WARRANTY EXCLUSIONS

### THE WARRANTY DOES NOT COVER:

- Start-up and setting up of the product.
- Damage resulting from normal wear and tear of the product.
- Damage resulting from improper use of the product.
- Damage resulting from assembly or start-up not in accordance with the user manual.
- Periodic and standard maintenance events.
- Actions of modification and dismantling that directly void the warranty.
- Products whose original authentication marking (brand, serial number) has been degraded, altered or withdrawn.
- Replacement of consumables.
- The use of non-original parts.
- Breakage of parts following impacts or projections.
- Accessories breakdowns.
- Defects and their consequences linked to any external cause.
- Loss of components and loss due to insufficient screwing.
- Cutting components and any damage related to the loosening of parts.
- Overload or overheating.
- Poor power supply quality: faulty voltage, voltage error, etc.
- Damages resulting from the deprivation of enjoyment of the product during the time necessary for repairs and more generally the costs related to the immobilization of the product.
- The costs of a second opinion established by a third party following an estimate by a SWAP-Europe repair station
- The use of a product which would show a defect or a breakage which was not the subject of an immediate report and/or repair with the services of SWAP-Europe.
- Deterioration linked to transport and storage\*.

\* In accordance with transport legislation, damage related to transport must be declared to carriers within 48 hours maximum after observation by registered letter with acknowledgement of receipt. This document is a supplement to your notice, a non-exhaustive list.

**Attention:** all orders must be checked in the presence of the delivery person. In case of refusal by the delivery person, it you must simply refuse the delivery and notify your refusal.

**Reminder:** the reserves do not exclude the notification by registered letter with acknowledgement within 72 hours.

#### **Information:**

Thermal devices must be wintered each season (service available on the SWAP-Europe site). Batteries must be charged before being stored.









# HYUNDAI

POWER PRODUCTS



**For inquiries, please contact:**

BUILDER SAS

32 rue Aristide Bergès - Z.I. du Casque - 31270 Cugnaux - France

Tél.: +33(0)5.34.502.502 Fax.: +33(0)5.34.502.503

<http://www.hyundaipower-fr.com/>

Fabriqué en République Populaire de Chine(PRC)